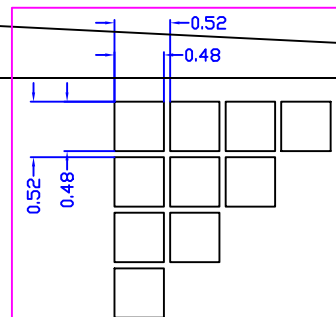
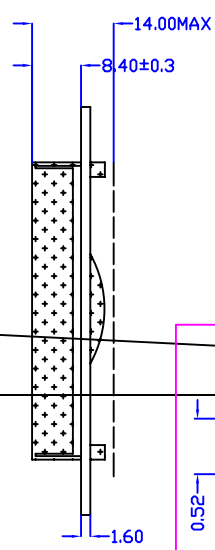
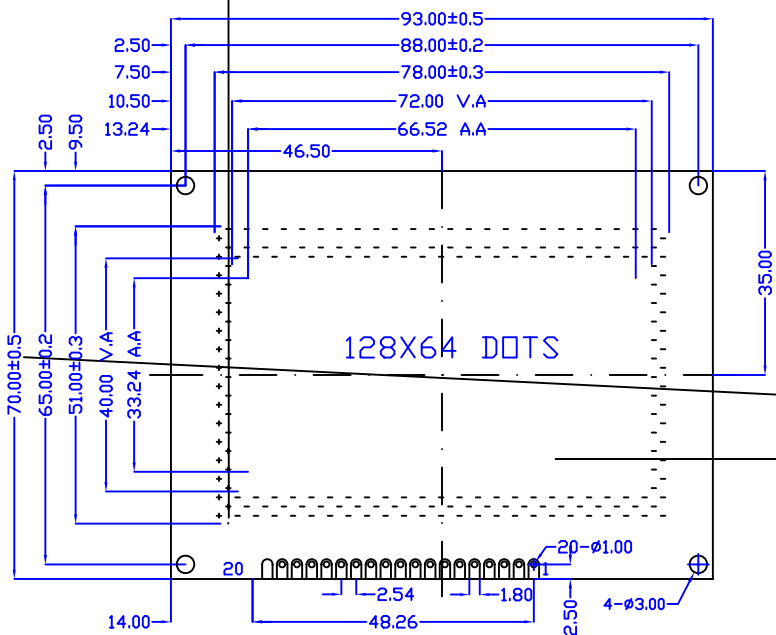
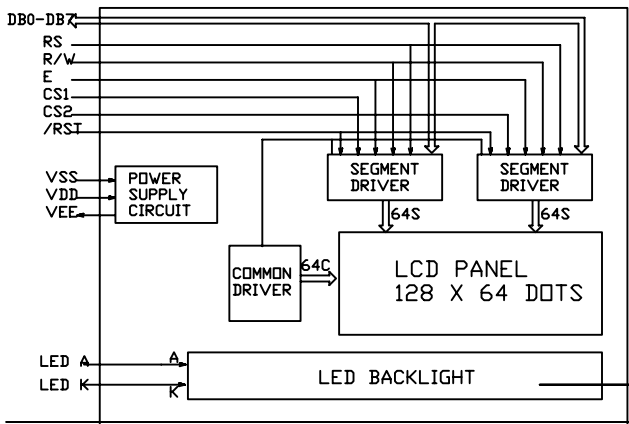


# Outline Dimension

| REVISIONS |          |       |             |
|-----------|----------|-------|-------------|
| NO.       | DATE     | BY    | DESCRIPTION |
| 1         | 08/05/24 | ZOLEN | NEW RELEASE |



## Block Diagram



## Feature

1. BUILT IN CONTROLLER: KS0107B OR EQUIVALENT
2. POWER SUPPLY: 5.0V AND 3.0V AVAILABLE
3. LCD TYPE: Y/G STN
4. BACKLIGHT: BOTTOM LED BACKLIGHT
5. COLOUR OF BACKLIGHT: Y/G
6. 1/64 DUTY CYCLE, 1/9 BIAS
7. VIEWING ANGLE: 6 O'CLOCK
8. TEMPERATURE RANGE: NORMAL(0--50)
9. LOW CONSUMPTION, LOW VOLTAGE, HIGH CONTRAST

## Mechanical Data

| ITEM         | SPECIFICATION       | UNIT |
|--------------|---------------------|------|
| OVERALL SIZE | 93.00±0.05H x 14.0T | MM   |
| VIEWING AREA | 78.00±0.3H x 40.0H  | MM   |
| DOT NUMBER   | 128 x 64            | DOTS |
| DOT SIZE     | 0.48W x 0.48H       | MM   |
| DOT PITCH    | 0.52W x 0.52H       | MM   |

## Pin Assignment

| NO.   | SYMBOL   | DESCRIPTION                    |
|-------|----------|--------------------------------|
| 1     | VSS      | GROUND                         |
| 2     | VDD      | POWER SUPPLY FOR LOGIC AND LCD |
| 3     | VR       | OPERATING VOLTAGE FOR LCD      |
| 4     | D/I      | DATA/INSTRUCTION SELECT        |
| 5     | R/W      | READ/WRITE                     |
| 6     | E        | ENABLE                         |
| 7--14 | DB0--DB7 | DATA                           |
| 15    | CS1      | SELECT OF IC1(HIGH EFFECTIVE)  |
| 16    | CS2      | SELECT OF IC2(HIGH EFFECTIVE)  |
| 17    | VEE      | RESET SIGNAL(LOW EFFECTIVE)    |
| 18    | V.A      | NEGATIVE VOLTAGE INPUT/OUTPUT  |
| 19    | A        | LED BACKLIGHT POWER SUPPLY(+)  |
| 20    | K        | LED BACKLIGHT POWER SUPPLY(-)  |

## Rating

| ITEM                   | SYMBOL  | MIN | MAX  | UNIT |
|------------------------|---------|-----|------|------|
| POWER SUPPLY(LOGIC)    | VDD-VSS | 0   | 6.5  | V    |
| POWER SUPPLY(LCD DRV.) | VDD-V0  | 0   | 18.0 | V    |
| INPUT VOLTAGE          | VI      | VI  | VDD  | V    |

## Electrical Characteristics

| ITEM                  | SYMBOL  | MIN    | TYP  | MAX    | UNIT |
|-----------------------|---------|--------|------|--------|------|
| VOLTAGE FOR LOGIC     | VDD-VSS | 4.75   | 5.0  | 5.25   | V    |
| SUPPLY CURRENT        | IDD     | -      | 12.0 | -      | mA   |
| LCD OPERATING VOLTAGE | 0C      | -      | 16.0 | -      | V    |
|                       | 25C     | -      | 15.0 | -      | V    |
|                       | 40C     | -      | 14.0 | -      | V    |
| INPUT VOLTAGE         | H       | 0.7VDD | -    | VDD    | V    |
|                       | L       | 0      | -    | 0.3VDD | V    |

ALL DIMENSIONS ARE IN MM. TOLERANCE IS +/-0.2 UNLESS OTHERWISE NOTED.

