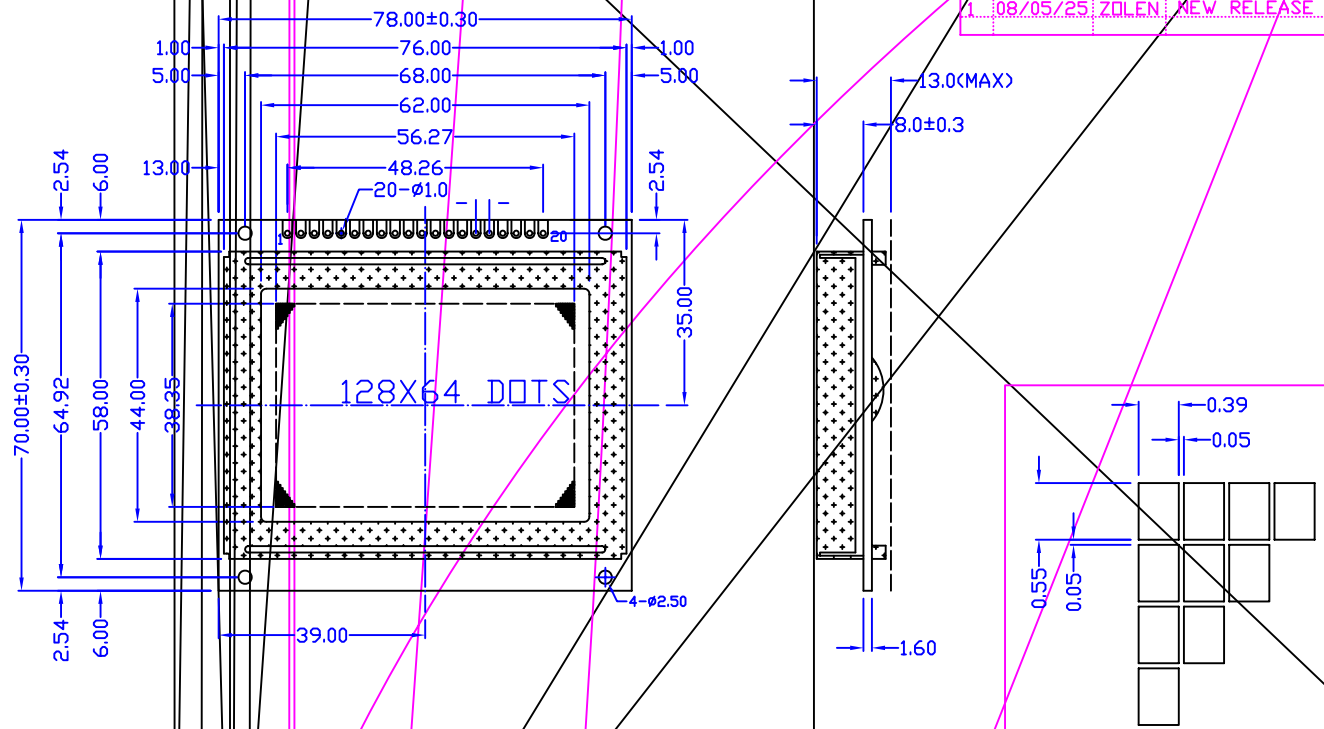
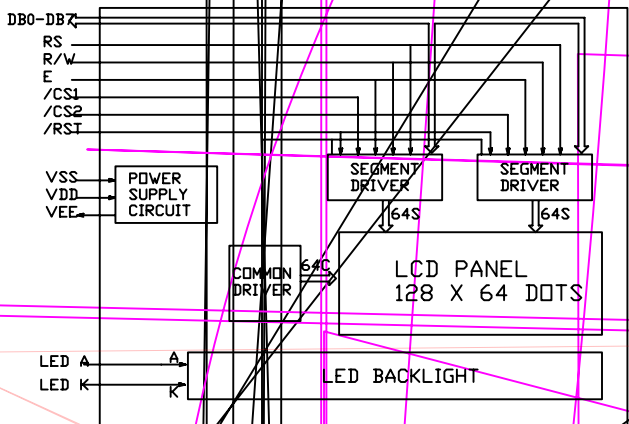


# Outline Dimension

REVISIONS			
NO.	DATE	BY	DESCRIPTION
1	08/05/25	ZOLEN	NEW RELEASE



## Block Diagram



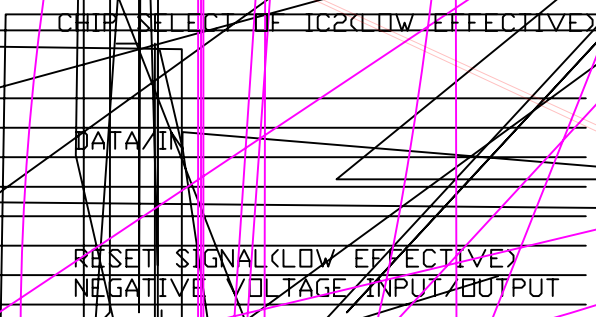
## Feature

- 1.  $\pm 0.1$ MM AND 3.0V AVAILABLE
- 2. LCD TYPE: Y/G STN
- 3. BACKLIGHT: BOTTOM LED BACKLIGHT
- 4. COLOUR OF BACKLIGHT: Y/G
- 5. 1/64 DUTY CYCLE, 1/9 BIAS
- 6. VIEWING ANGLE: 6 O'CLOCK
- 7. TEMPERATURE RANGE: NORMAL(0--50)EXTENDED
- 8. LOW CONSUMPTION, LOW VOLTAGE, HIGH CONTRAST

## Mechanical Data

ITEM	SPECIFICATION	UNIT
OVERALL SIZE	78.0W x 70.0H x 13.0T	MM
VIEWING AREA	62.0W x 44.0H	MM
DOT NUMBER	128 x 64	DOTS
DOT SIZE	0.39W x 0.55H	MM
DOT PITCH	0.44W x 0.60H	MM

## Pin Assignment



## Absolute Maximum Rating

ITEM	SYMBOL	MIN	MAX	UNIT
POWER SUPPLY (LOGIC)	VDD-VSS	0	6.5	V
SUPPLY (LCD DRV.)	VDD-V0	0	18.0	V
INPUT VOLTAGE	VI	VI	VDD	V

## Electrical Characteristics

ITEM	SYMBOL	MIN	TYP	MAX	UNIT
VOLTAGE FOR LOGIC	VDD-VSS	4.75	5.0	5.25	V
SUPPLY CURRENT	I <sub>DD</sub>	-	12.0	-	mA
			16.0	-	V
LCD OPERATING VOLTAGE	VDD-V0	-	15.0	-	V
			14.0	-	V
INPUT VOLTAGE	V <sub>IH</sub>	0.7V <sub>DD</sub>	-	VDD	V
	V <sub>IL</sub>	0	-	0.3V <sub>DD</sub>	V

ALL DIMENSIONS ARE IN MM. TOLERANCE IS +/-0.2 UNLESS OTHERWISE NOTED.