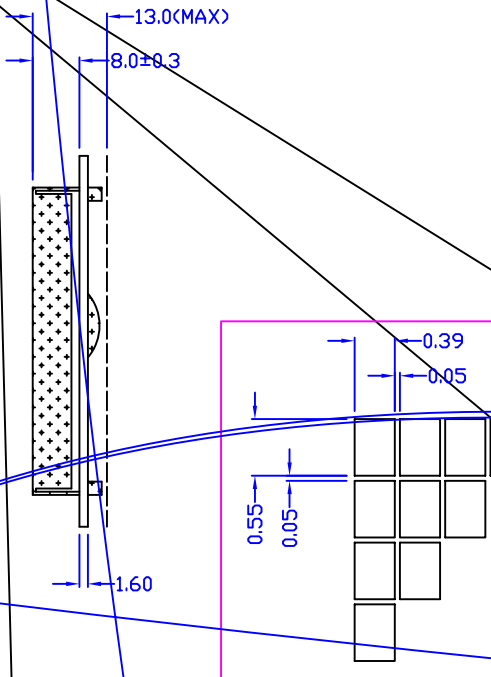
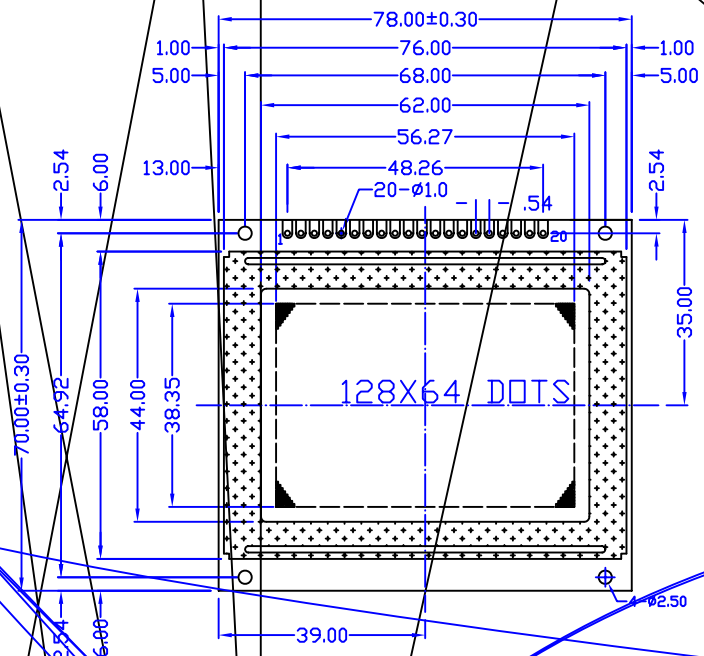
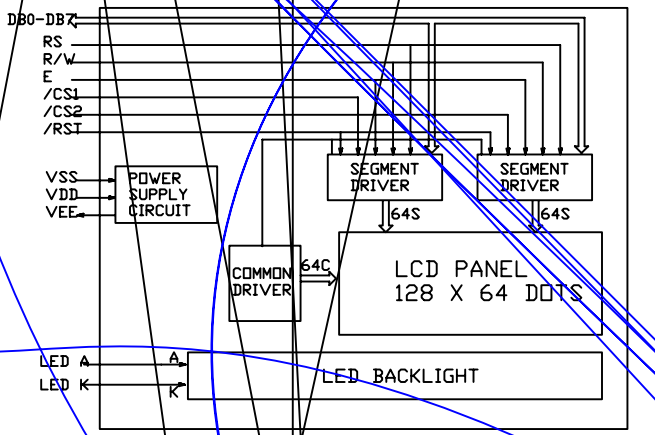


Outline Dimension

REVISIONS			
NO.	DATE	BY	DESCRIPTION
1	08/05/25	ZOLEN	NEW RELEASE



Block Diagram



Feature

1. BUILT IN CONTROLLER: KS0108B OR EQUIVALENT
2. POWER SUPPLY: 5.0V AND 3.0V AVAILABLE
3. LCD TYPE: Y/G STN
4. BACKLIGHT: BOTTOM LED BACKLIGHT
5. COLOUR OF BACKLIGHT: Y/G
6. 1/64 DUTY CYCLE, 1/9 BIAS
7. VIEWING ANGLE: 6 O'CLOCK
8. TEMPERATURE RANGE: NORMAL(0--50)EXTENDED
9. LOW CONSUMPTION, LOW VOLTAGE, HIGH CONTRAST

Mechanical Data

ITEM	SPECIFICATION	UNIT
OVERALL SIZE	78.0W x 70.0H x 13.0T	MM
VIEWING AREA	62.0W x 44.0H	MM
DOT NUMBER	128 x 64	DOTS
DOT SIZE	0.39W x 0.55H	MM
DOT PITCH	0.44W x 0.60H	MM

Pin Assignment

CHIP SELECT OF IC2(LOW EFFECTIVE)

DATA/IN

RESET SIGNAL(LOW EFFECTIVE)
NEGATIVE VOLTAGE INPUT/OUTPUT

Absolute Maximum Rating

ITEM	SYMBOL	MIN	MAX	UNIT
POWER SUPPLY(LOGIC)	VDD-VSS	0	6.5	V
SUPPLY(LCD DRV.)	VDD-V0	0	18.0	V
INPUT VOLTAGE	VI	VI	VDD	V

Electrical Characteristics

ITEM	SYMBOL	MIN	TYP	MAX	UNIT
VOLTAGE FOR LOGIC	VDD-VSS	4.75	5.0	5.25	V
SUPPLY CURRENT	IDD	-	12.0	-	mA
LCD OPERATING VOLTAGE	0C	-	16.0	-	V
	25C	VDD-V0	15.0	-	V
INPUT VOLTAGE	H	VIH	0.7VDD	VDD	V
	L	VIL	0	0.3VDD	V

ALL DIMENSIONS ARE IN MM. TOLERANCE IS +/-0.2 UNLESS OTHERWISE NOTED.