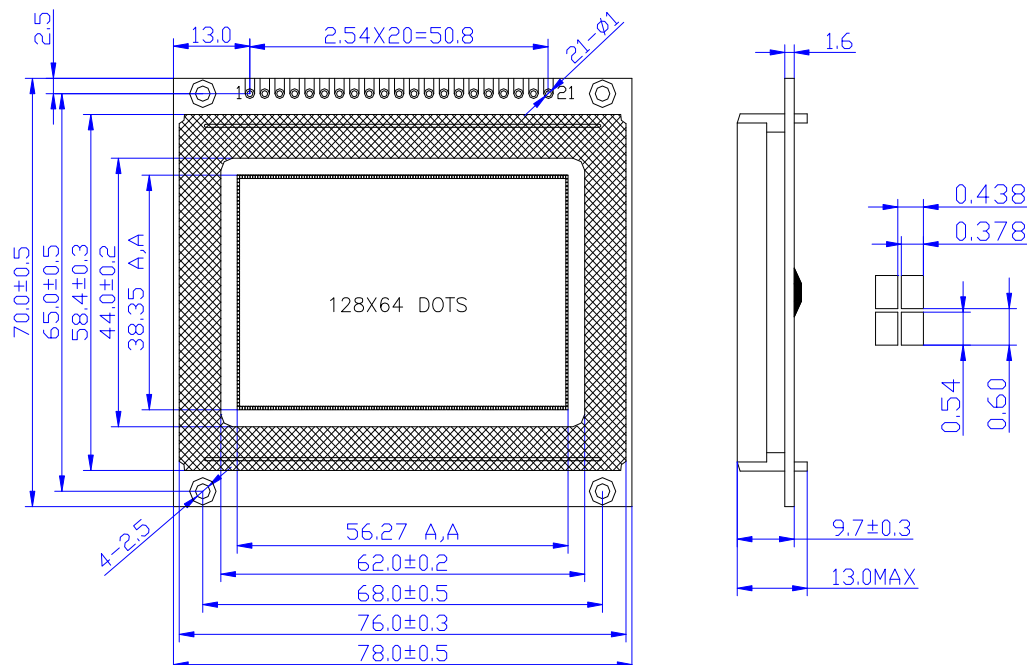


# JXD12864C-T

## PHYSICAL DIMENSION



## MECHANICAL SPECIFICATIONS

Item	Nominal Dimensions(mm)
Module Size(W×H×T)	78.0×70.0×13.0
Viewing Area(W×H)	62.0×44.0
Dot Pitch(W×H)	0.438×0.60
Dot Size(W×H)	0.378×0.54

## PIN CONNECTIONS

Pin	Symbol	Function
1	FG	Frame Ground
2	VSS	Ground for Logic(0V)
3	VDD	Power supply for Logic(+5V)
4	V0	Power supply for LCD Driver
5	/WR	Command and data write signal
6	/RD	Data and status read signal
7	/CE	Chip enable signal
8	C/D	H:Command; L:Data
9	/RST	Reset Signal (Active LOW )
10~17	DB0~DB7	Data Bus Line
18	FS	Selection of font. H: 6×8; L: 8×8
19	LEDA	Backlight Power (+5V)
20	LEDK	Backlight Power (0V)
21	VEE	Negative voltage output

## FEATURE

LCD Type & Colour	STN:Yellow-Green,Blue,FSTN
View Angle	6 O'clock
Display Type	Positive Type,Negative Type
Control IC & Package	T6963C or EQV,SMT
Operating Temperature	-20 70
Storage Temperature	-30 80

## ELECTRICAL CHARACTERISTICS (Supply current doesn't contain backlight)

Item	Symbol	Test Condition	Typ.	Unit
Operating Voltage	Vdd	Ta=25	5.0	V
Supply Current	Idd	Ta=25 , Vdd=5.0V	4.5	mA