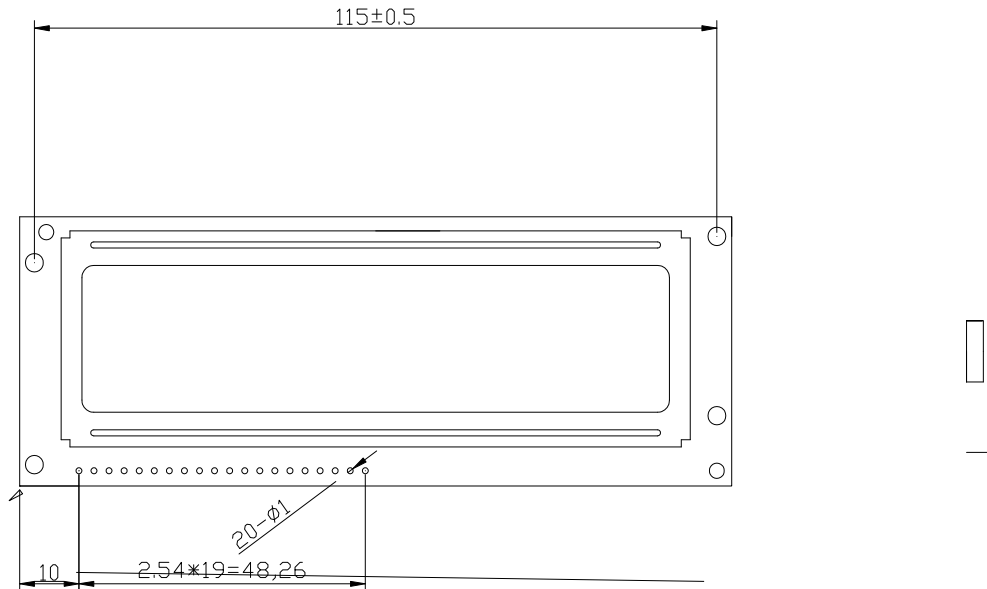


JXD16032D-02

PHYSICAL DIMENSION



MECHANICAL SPECIFICATIONS

Item	Nominal Dimensions(mm)
Module Size(W×H×T)	120.0×44.0×13.5
Viewing Area(W×H)	99.0×24.0
Dot Pitch(W×H)	0.59×0.59
Dot Size(W×H)	0.55×0.55

PIN CONNECTIONS

Pin	Symbol	Function
1	A0	H: Data L: Instruction Code
2	CS2	Chip select 2
3	CS1	Chip select 1
4	RD	Read
5	WR	Write
6	VDD	Power supply for Logic(+5V)
7	VSS	Ground for Logic(0V)
8~15	DB0~DB7	Data Bus Line
16	RST	Reset Signal
17	V0	Power supply for LCD Driver
18	Vee	No connect
19	LEDA	Backlight Power(+5V)
20	LEDK	Backlight Power(GND)

LCD Type & Colour	STN:Yellow-Green,Blue,FSTN
View Angle	6 O'clock
Display Type	Positive Type,Negative Type
Display Technology	AT1521,COB
Operating Temperature	-20 70
Storage Temperature	80

Test Condition

Ta=25

Ta=25 , Vdd=5.0V

Typ.

5.0

1.7

Unit

V

mA