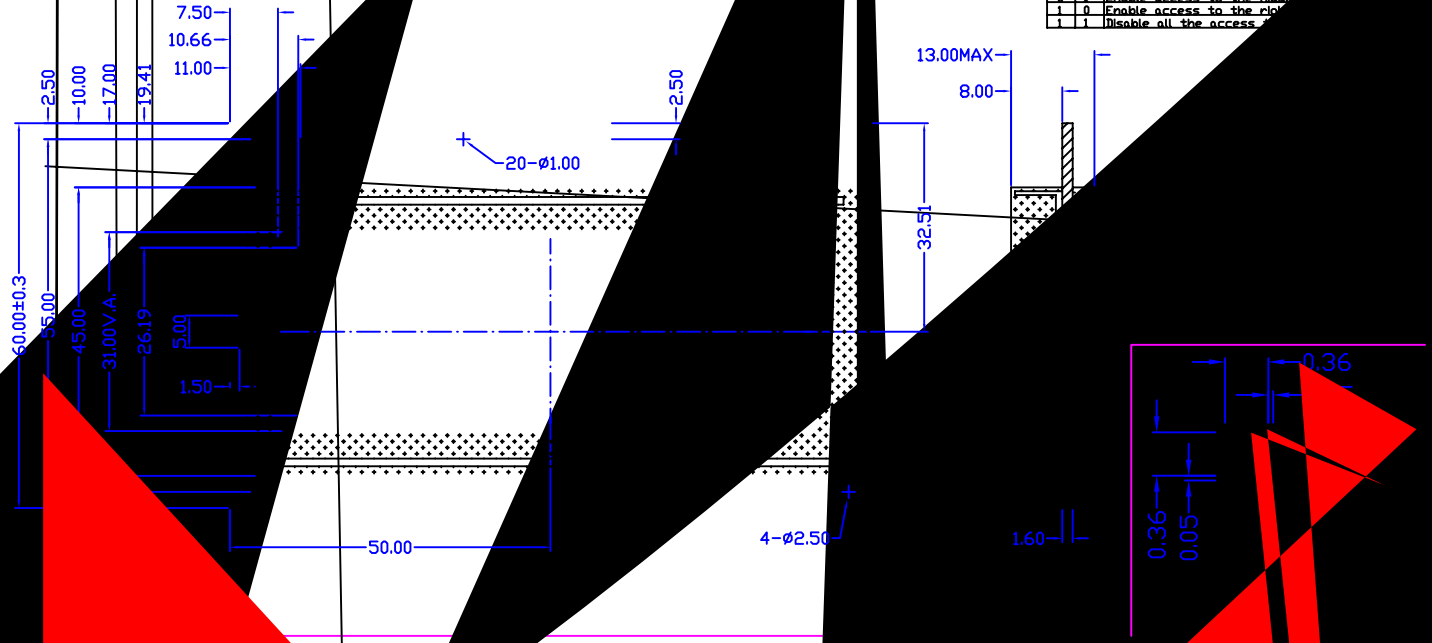


e Dimens

CHIP SELECT SPEC

| CSA[CSB] | FUNCTION |
|----------|----------------------------------|
| 0 0 | Enable access to the left page |
| 0 1 | Enable access to the middle page |
| 1 0 | Enable access to the right page |
| 1 1 | Disable all the access |



SEGMENT DRIVER

INSTRUCTION SELECT
 POWER SUPPLY FOR LOGIC AND LCD
 CHIP SELECT SIGNAL B
 CHIP SELECT SIGNAL A
 NEGATIVE VOLTAGE
 RESET SIGNAL
 LED BACK

