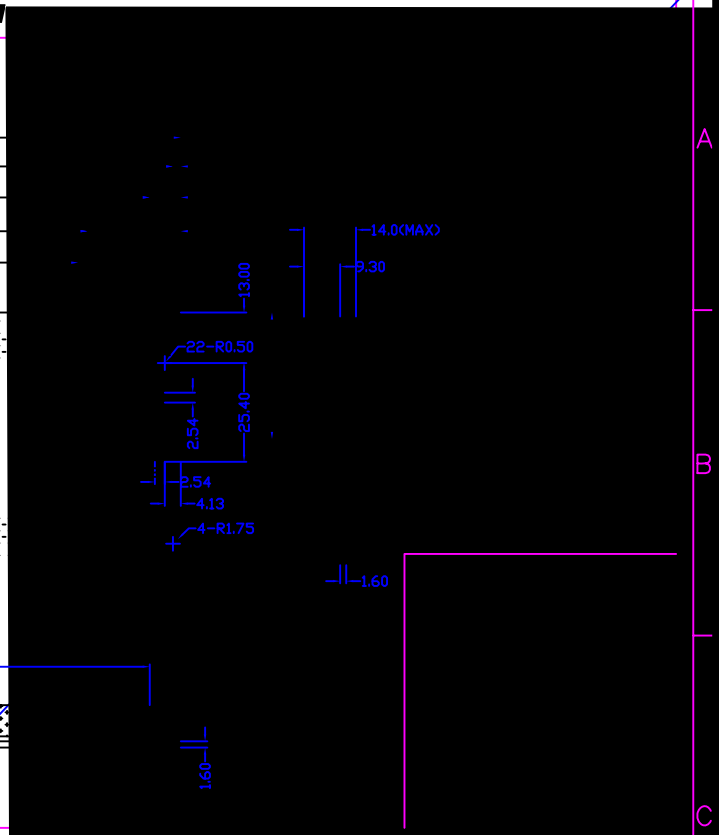
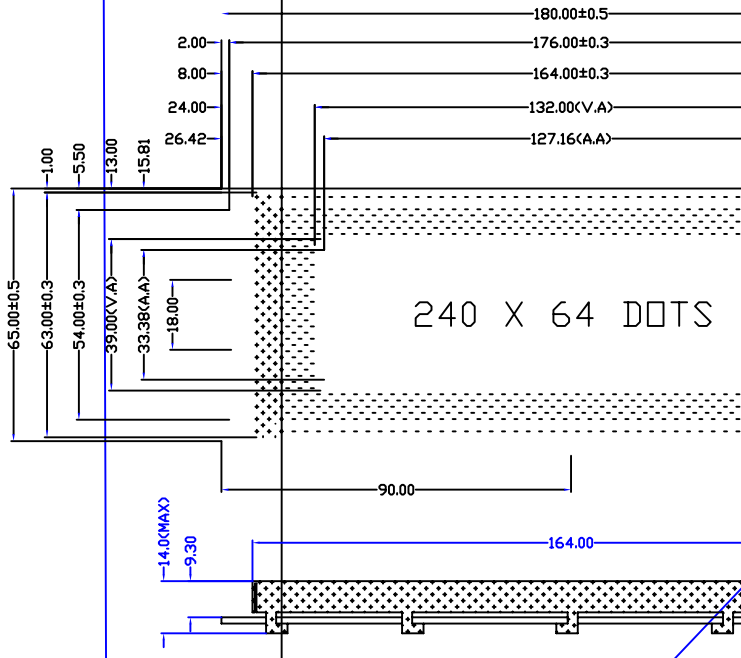
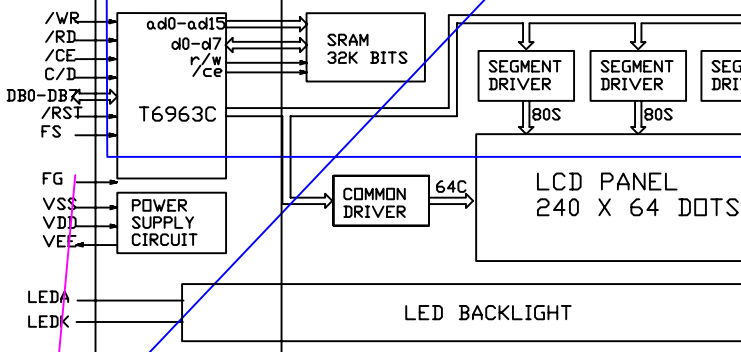


Outline Diagram



Block Diagram



3. LCD TYPE: Y/G STN, TRANSFLECTIVE

DUTY CYCLE, 1/9 BIAS

7. VIEWING ANGLE: 6 O'CLOCK

8. TEMPERATURE RANGE: EXTENDED (-20--70)

9. LOW CONSUMPTION, LOW VOLTAGE, HIGH CONTRAST

Pin Assignment

NO.	SYMBOL	DESCRIPTION
1	FG	FRAME GROUND
2	VSS	GROUND
3	VDD	
4	V0	
5	/WR	DATA WRITE
6	/RD	DATA READ
7	/CE	
8	C/D	
10	/RST	RESET T6963C (LOW EFFECTIVE)
19	FS	FONT SELECTION (L: 8X8, H: 6X8)
22	K	LED BACKLIGHT POWER SUPPLY (+)(+5V)
		LED BACKLIGHT POWER SUPPLY (-)(0V)

		V ₀	13.0	30.0	mA
INPUT VOLTAGE	H	V _{IH}	-	12.2	-
	L	V _{IL}	0	0.3V _{DD}	V

ALL DIMENSIONS ARE IN MM. TOLERANCE ±

EXPERT IN LCD

