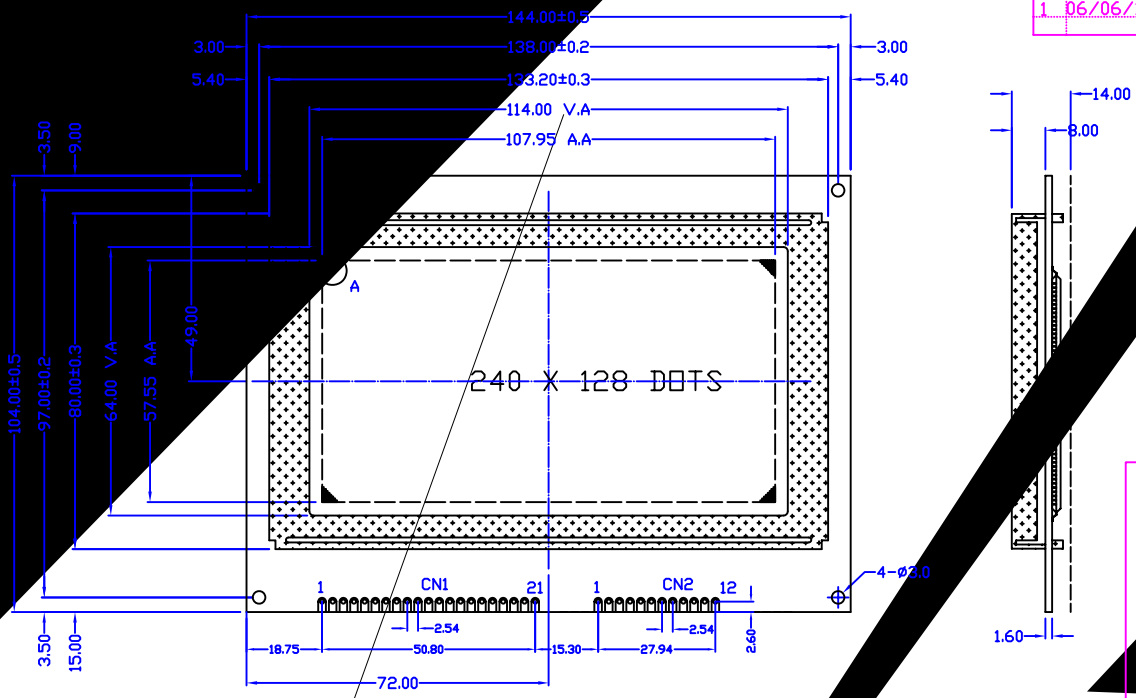
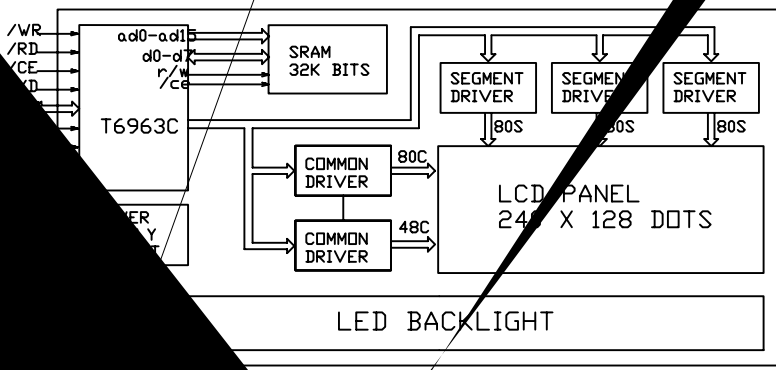


REVISIONS			
NO.	DATE	BY	DESIGN
1	06/06/18	ZOLEN	NEW



### Block Diagram



### Feature

1. BUILT IN CONTROLLER: T6963C OR EQUIVALENT
2. POWER SUPPLY: 5.0V AND 3.0V AVAILABLE
3. LCD TYPE: YELLOW/GREEN STN
4. BACKLIGHT: LED SIDE BACKLIGHT
5. COLOUR OF BACKLIGHT: WHITE
6. 1/128 DUTY CYCLE, 1/9 BIAS
7. VIEWING ANGLE: 6 O'CLOCK
8. TEMPERATURE RANGE: EXTENDED (-20--70)
9. LOW CONSUMPTION, LOW VOLTAGE, HIGH CONTRAST

### Technical Data

ITEM	SPECIFICATION	UNIT
OVERALL SIZE	144.0W x 104.0H x 14.0T	MM
VIEWING AREA	133.2W x 64.0H	MM
DOT NUMBER	240 x 128	DOTS
DOT SIZE	0.40W x 0.40H	MM
DOT PITCH	0.45W x 0.45H	MM

### Assignment

### Absolute Maximum

ITEM	SYMBOL	MAX
POWER SUPPLY (LOGIC)	VDD-VSS	
POWER SUPPLY (LCD DRV.)	VDD-VSS	
INPUT VOLTAGE	VI	

ITEM	SYMBOL	MAX
VOLTAGE FOR LOGIC	VDD	
SUPPLY CURRENT	IC	
LCD OPERATING VOLTAGE	VDD	
INPUT VOLTAGE	VI	

