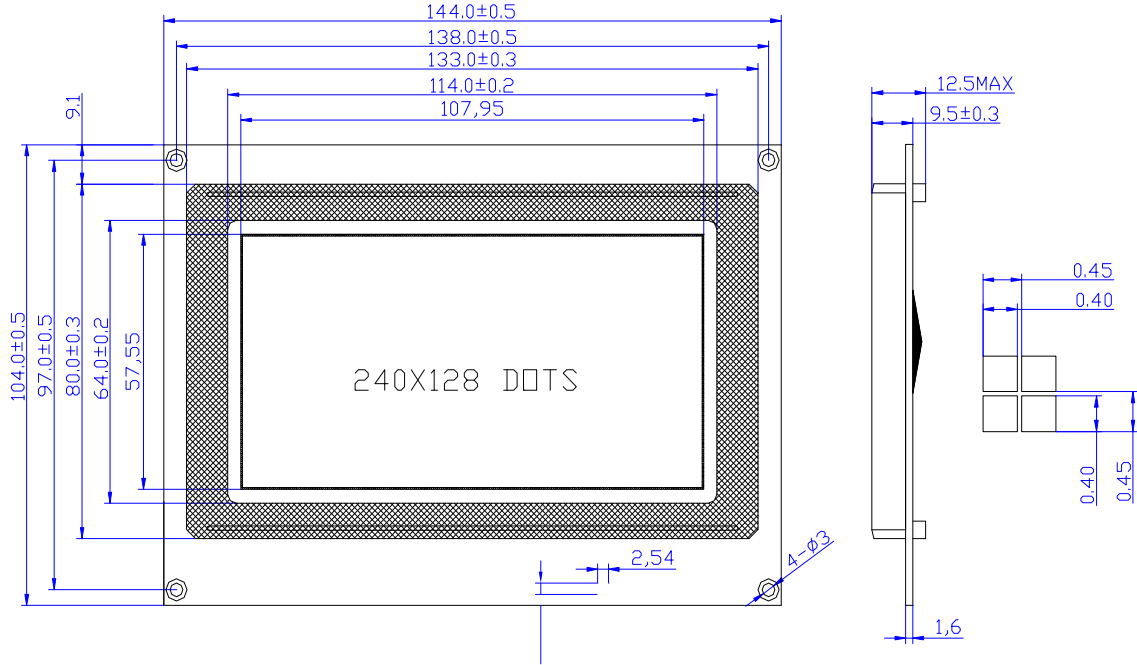


# JXD240128B

## ① PHYSICAL DIMENSION



## ② MECHANICAL SPECIFICATIONS

| Item               | Nominal Dimensions(mm) |
|--------------------|------------------------|
| Module Size(W×H×T) | 144.0×104.0×12.5       |
| Viewing Area(W×H)  | 114.0×64.0             |
| Dot Pitch(W×H)     | 0.45×0.45              |
| Dot Size(W×H)      | 0.40×0.40              |

## ③ PIN CONNECTIONS (CON2)

| Pin   | Symbol  | Function                          |
|-------|---------|-----------------------------------|
| 1     | FG      | Frame Ground                      |
| 2     | VSS     | Ground for Logic(0V)              |
| 3     | VDD     | Power supply for Logic(+5V)       |
| 4     | V0      | Power supply for LCD Driver       |
| 5     | /WR     | Command and data write signal     |
| 6     | /RD     | Data and status read signal       |
| 7     | /CE     | Chip enable signal                |
| 8     | C/D     | H:Command; L:Data                 |
| 9     | /RST    | Reset Signal (Active LOW )        |
| 10~17 | DB0~DB7 | Data Bus Line                     |
| 18    | FS      | Selection of font. H: 6×8; L: 8×8 |
| 19    | LED+    | Backlight Power (+5V)             |
| 20    | LED-    | Backlight Power (0V)              |

## ④ FEATURE

|                       |                             |
|-----------------------|-----------------------------|
| LCD Type & Colour     | STN:Yellow-Green,Blue,FSTN  |
| View Angle            | 6 O'clock                   |
| Display Type          | Positive Type,Negative Type |
| Control IC & Package  | T6963C or EQV,COB or SMT    |
| Operating Temperature | -20℃ ~ 70℃                  |
| Storage Temperature   | -30℃ ~ 80℃                  |

## ⑤ ELECTRICAL CHARACTERISTICS (Supply current doesn't contain backlight)

| Item              | Symbol | Test Condition    | Typ. | Unit |
|-------------------|--------|-------------------|------|------|
| Operating Voltage | Vdd    | Ta=25℃            | 5.0  | V    |
| Supply Current    | Idd    | Ta=25℃ , Vdd=5.0V | 23.0 | mA   |