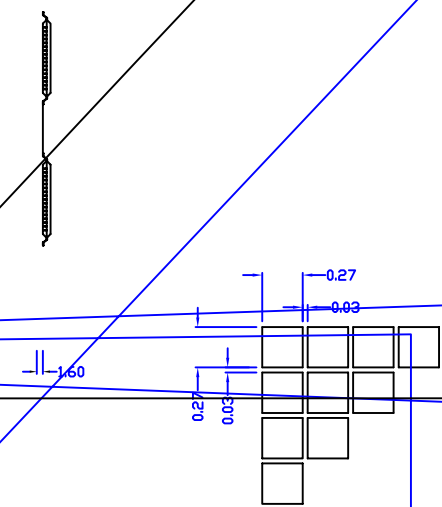
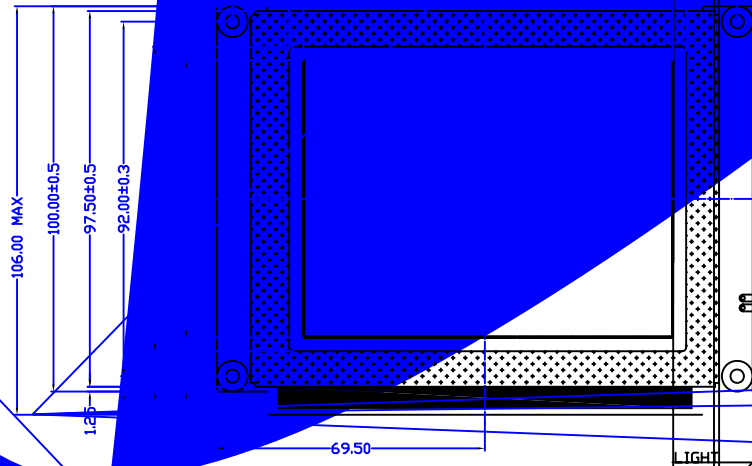


DESCRIPTION  
 MODEL NEW RELEASE



1. BUILT IN CONTROLLER: RA8835 OR EQUIVALENT
2. POWER SUPPLY: 5.0V AND 3.0V AVAILABLE
3. LCD TYPE: BLUE STN,NEGATIVE
4. BACKLIGHT: CCFL,SIDE LED BACKLIGHT
5. COLOUR OF BACKLIGHT: WHITE
6. 1/128 DUTY CYCLE,1/12BIAS
7. VIEWING ANGLE: 6 O'CLOCK
8. TEMPERATURE RANGE: EXTENDED(-20--70)
9. LOW CONSUMPTION,LOW VOLTAGE,HIGH CONTRAST

17		NEGATIVE VOLTAGE INPUT/OUTPUT
19	A	LED BACKLIGHT POWER SUPPLY(+)
20	K	LED BACKLIGHT POWER SUPPLY(-)

INPUT VOLTAGE	H	V <sub>IH</sub>	0.7V <sub>DD</sub>	-	V <sub>DD</sub>	V
	L	V <sub>IL</sub>	0		0.3V <sub>DD</sub>	V

ALL DIMENSIONS ARE IN MM. TOLERANCE IS +/-0.2 UNLESS OTHERWISE NOTED.

